

Selection Form

Actuator

Requested Date _____

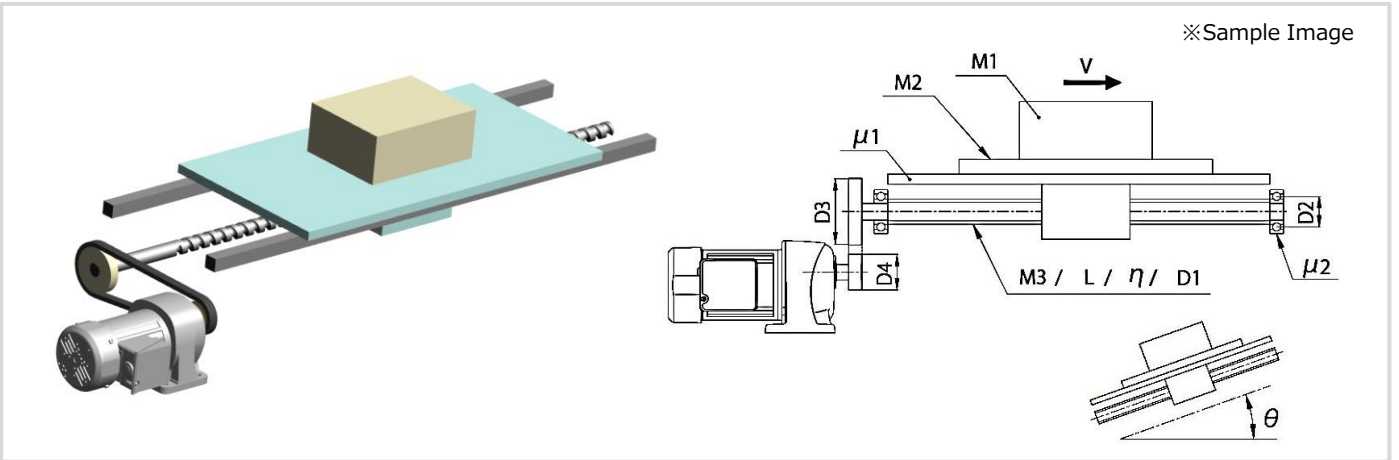
Please check the corresponding item in

Select gearmotor series ※If you are unable to make a selection, please leave it blank.

- Induction Gearmotor(MID series / MINI series)
 - IPM Gearmotor(Speed Control Type)
 - Battery-powered Type Gearmotor(DC12V/24V/48V)
 - Requested Model { _____ }
- ※If you already know the mode number, please enter that in (_____).

Output shaft type selection ※If you are unable to make a selection, please leave it blank.

- Parallel Shaft (G3, G type)
- Right Angle Shaft (H2, H type)
- Hollow Shaft (FS, F2, F3 type)
- Solid Shaft (FF, F2, F3 type)



Operating Condition ※Leave the field blank if you are not sure

- Moving speed $V =$ mm/s
- Friction Coefficient of the the Guide $\mu_1 =$
- Weight of the Work $M_1 =$ kg
- Friction Coefficient of Screw Shaft Bearing $\mu_2 =$
- Weight of the table $M_2 =$ kg
(total weight excluding work and screw)
- Screw shaft inclination angle $\theta =$ °
- Weight of the Screw Shaft $M_3 =$ kg
- Repeated Stopping Accuracy ※Enter only if necessary.
 \pm mm(travel distance equivalent)
- Screw Lead $L =$ mm
- Power 3-phase 1-phase Battery(DC)
 V Hz
- Transmission Efficiency of Screw $\eta =$
- Start/Stop Frequency
 Times / Minute Hour Day
- Outer Diameter of Screw Shaft $D_1 =$ mm
- Brake with without
- Pitch circle diameter $D_2 =$ mm
of the rolling element bearing
- Inverter with without
※Check this box only for induction gearmotors.
- P.C.D. of Driven Side Sprocket $D_3 =$ mm
(Timing Pulley, Gear) ※Not required for direct coupling
- Other operating conditions such as cycle time
- P.C.D. of Drive Side Sprocket $D_4 =$ mm
(Timing Pulley, Gear) ※Not required for direct coupling

Customer Information

CS center Technical Support Desk
E-mail : tech-cs@nissei-gtr.co.jp

Company Name _____
 Department _____
 Job Title _____
 Name _____

Address _____
 Phone Number _____
 FAX Number _____
 E-mail _____

- Purpose of Selection New Facility Replacement Change model Others{ _____ }
- Type of Industry Conveyor Food Processing Machine Machine for Agriculture or Fisheries
- Tooling Machine Packaging Machine Printing·Paper Converting Machine
- Special Machine Construction Machine Electrical and Electric Equipment
- Medical Equipment Design Office Trading Company Others{ _____ }

Notice Please note that we may send you separate message after registering your information we have obtained through customer inquiries.
 Please let us know anytime if you want us to delete your information from our system.